

Disposable Collection System

Quick Card

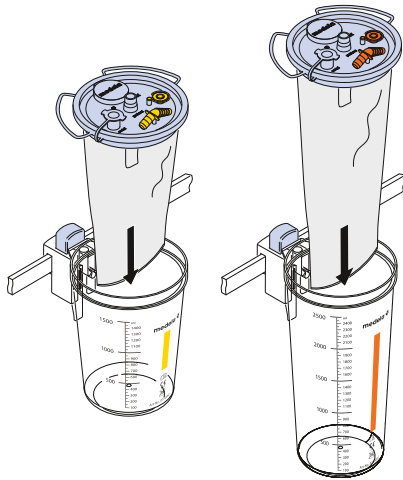


This Quick Card does not replace the instructions for use REF 200.1783.

Use of liners



Correct



Matching liners with matched jars

1.5 liner

2.5 liner

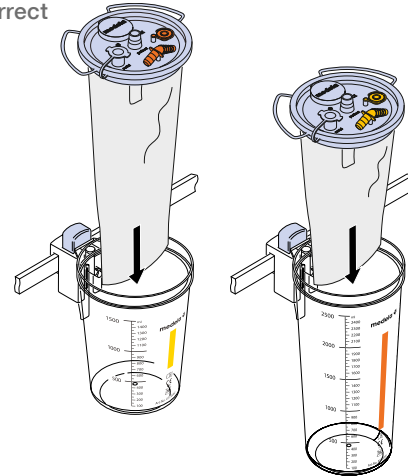


1.5 jar

2.5 jar



Incorrect



Liner sizes are not matched to the jars!

Wrong use of product **WILL NOT** guarantee safety and hygiene.

2.5 liner

1.5 liner



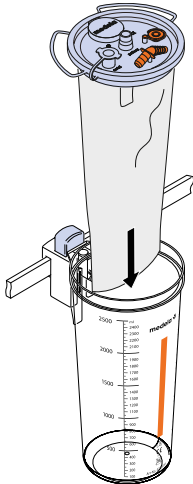
1.5 jar

2.5 jar

Preparation of single liner and jar

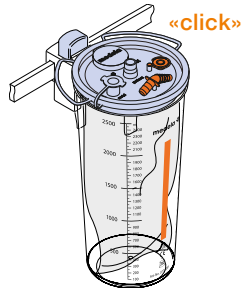
1

Place liner into jar



2

Press lid down firmly

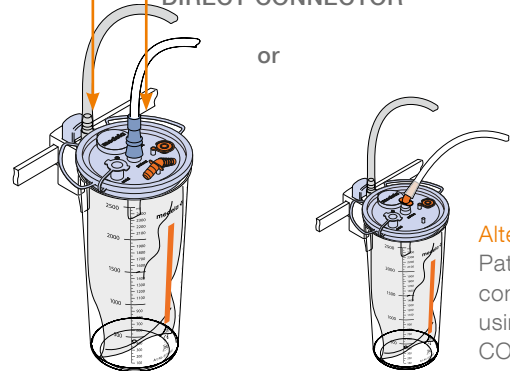


3

Attach vacuum tubing
to vacuum port

Attach patient tubing
to patient port using
DIRECT CONNECTOR

or



Alternative:
Patient tubing
connected
using ANGLE
CONNECTOR

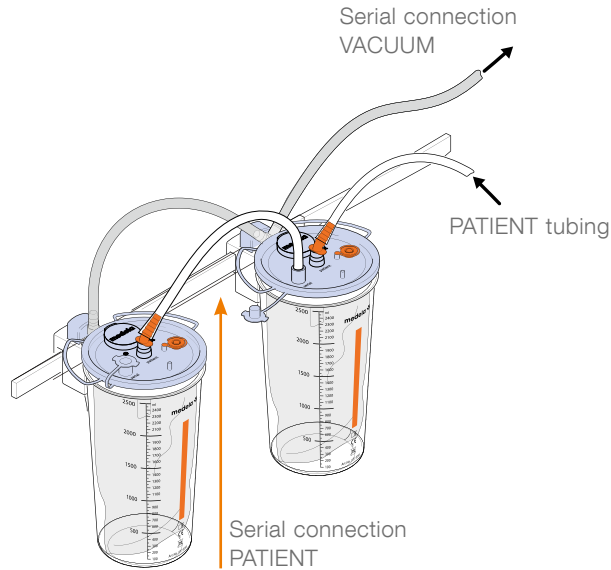
4

Switch on pump



Set up of two liners

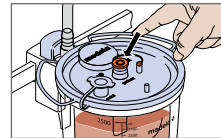
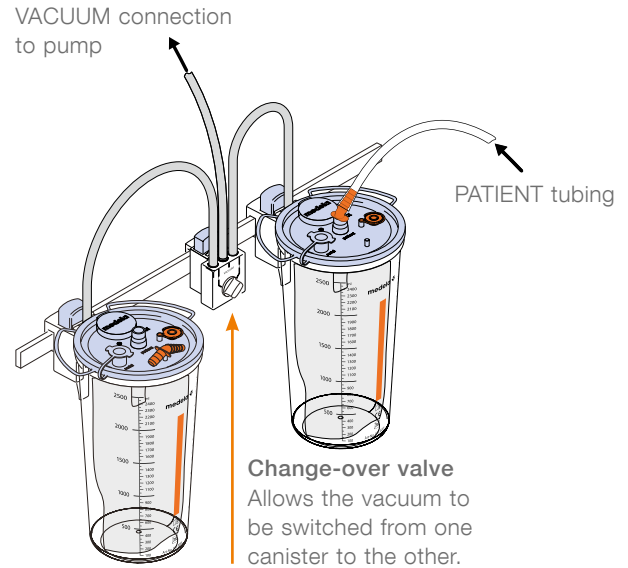
With Serial Connection



NOTE

Medela strongly recommends the use of either a safety set or an overflow protection/ bacteria filter to prevent fluids from entering into the suction source.

With Change-Over Valve



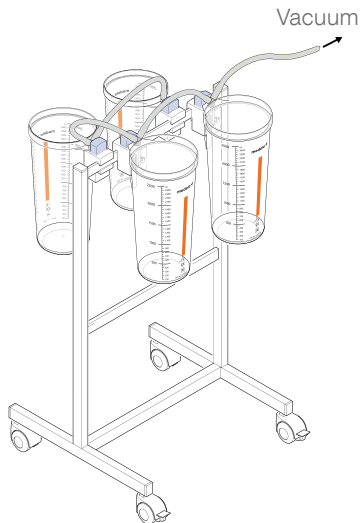
NOTE

Close patient port before switching from one liner to the next liner.

Connecting four jars in serial connection

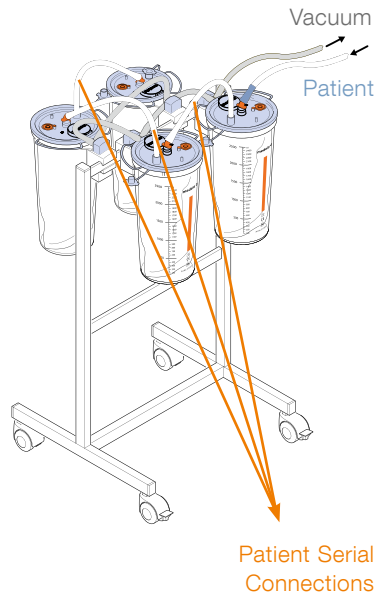
1

VACUUM serial connections



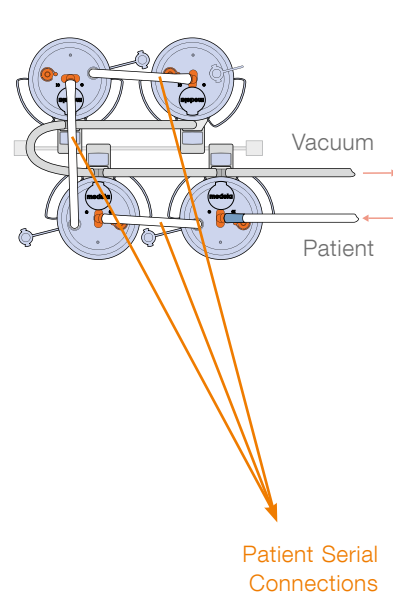
2

VACUUM serial connections
+ Patient Serial connections
+ Patient tubing



3

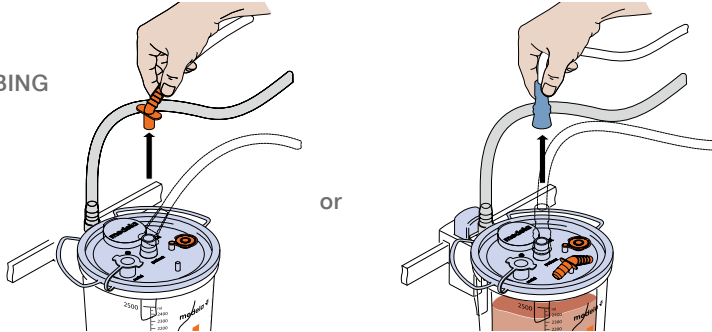
Diagram



Disconnection and liner disposal

1

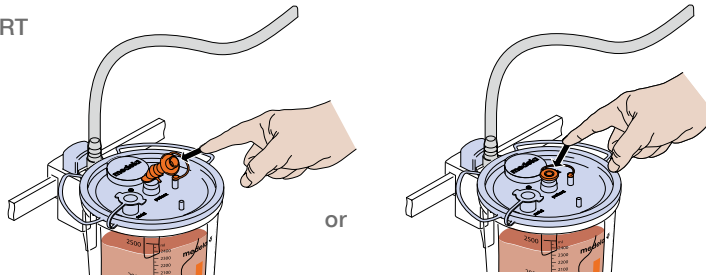
Unplug the
PATIENT TUBING



2

Plug the
PATIENT PORT

IMPORTANT: Close cap of patient and serial port
before removing vacuum.



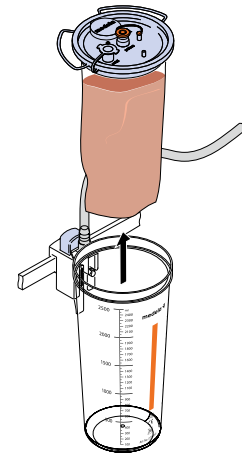
3

Switch off pump and
set vacuum to zero



4

Remove and discard liner



International Sales

Medela AG
Lättichstrasse 4b
6341 Baar
Switzerland
Phone +41 41 562 51 51
Fax +41 41 562 51 00
ism@medela.ch
www.medela.com

Australia

Medela Pty Ltd,
Medical Technology
3 Arco Lane, Heatherton
Vic 3202
Australia
Phone +61 3 9552 8600
Fax +61 3 9552 8699
contact@medela.com.au
www.medela.com.au

Canada

Medela Inc.
4160 Sladerview Crescent Unit # 8
Mississauga, Ontario, L5L 0A1
Canada
Phone +1 905 608 7272
Fax +1 905 608 8720
info@medela.ca
www.medela.ca

China

Medela (Beijing)
Medical Technology Co., Ltd.
Unit M, 4F,
No 1068 Wuzhong Road,
Minhang District
Shanghai 201103 / China
Phone +86 21 62368102
Fax +86 21 62368103
info@medela.cn
www.medela.cn

France

Medela France Sarl
14, rue de la Butte Cordière
91154 Etampes cedex
France
Phone +33 1 69 16 10 30
Fax +33 1 69 16 10 32
info@medela.fr
www.medela.fr

Germany

Medela Medizintechnik
GmbH & Co. Handels KG
Postfach 1148
85378 Eching
Germany
Phone +49 89 31 97 59-0
Fax +49 89 31 97 59 99
info@medela.de
www.medela.de

Italy

Medela Italia Srl
Via Turrini, 13/15 - Loc. Bargellino
40012 Calderara di Reno (BO)
Italy
Phone + 39 051 72 76 88
Fax + 39 051 72 76 89
info@medela.it
www.medela.it

Japan

Medela K.K.
G-Place Sasazuka 13F
2-26-2, Sasazuka, Shibuya-ku
Tokyo 151-0073
Japan
Phone +81 3 3373-3454
Fax +81 3 3373-3457
info@medela.jp
www.medela.jp

Netherlands & Belgium

Medela Benelux BV
Uilenwaard 31
5236 WB 's-Hertogenbosch
Netherlands
Phone +31 73 690 40 40
Fax +31 73 690 40 44
info@medela.nl
info@medela.be
www.medela.nl
www.medela.be

Poland

Medela Polska Sp. z o.o.
Ul. Lewinowska 8
03-684 Warszawa
Poland
Phone +48 22 865 12 50
Fax +48 22 864 38 65
biuro@medela.pl
www.medela.pl

Russia

OOO Medela
Vavilova str. 97, entrance 3
117335 Moscow
Russia
Phone +7 495 980 6194
Fax +7 495 980 6194
info@medela-russia.ru
www.medela-russia.ru

Spain & Portugal

Productos Medicinales
Medela, S.L.
c/ Manuel Fernández Márquez, 49
08918 Badalona (Barcelona)
Spain
Phone +34 93 320 59 69
Fax +34 93 320 55 31
info@medela.es
www.medela.es

Sweden

Medela Medical AB
Box 7266
187 14 Täby
Sweden
Phone +46 8 5880 3200
Fax +46 8 5880 3299
info@medela.se
www.medela.se

Switzerland

Medela AG
Lättichstrasse 4b
6341 Baar
Switzerland
Phone +41 848 633 352
Fax +41 41 562 51 00
contact@medela.ch
www.medela.ch

United Kingdom

Medela UK Ltd.
Huntsman Drive
Northbank Industrial Park
Irlam, Manchester M44 5EG
UK
Phone +44 161 776 0400
Fax +44 161 776 0444
info@medela.co.uk
www.medela.co.uk

USA

Medela Inc.
1101 Corporate Drive
McHenry, IL 60050
USA
Phone +1 877 735 1626
Fax +1 815 307 8942
info-healthcare@medela.com
www.medela-healthcare.us